

Please do the following to insure safe and easy installation:

- A. Read installation instructions and review diagrams thoroughly before beginning.
- B. For proper installation, secure services of a qualified electrician.

DISCONNECT THE POWER (CAUTION)

Always shut off power at the circuit breaker or disconnect fuse when installing or repairing this item.

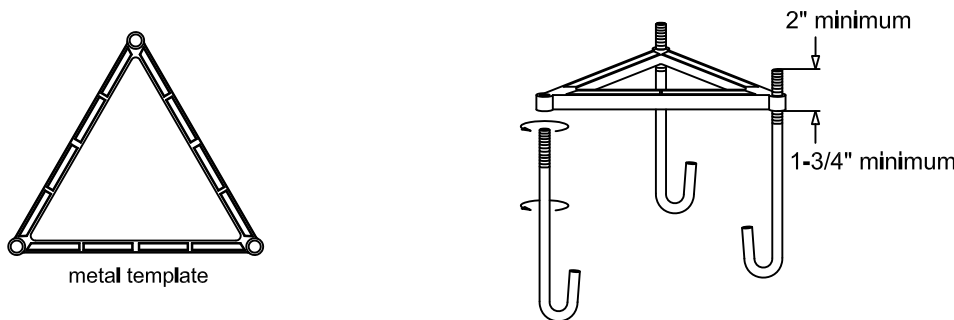
1. WIRE POWER TO FIXTURE LOCATION

- A. Be sure to consult local codes before beginning electrical work.
- B. Wire power through conduit that meets local codes from the power source to the site of the fixture.
- C. It is recommended that there is 100 inches of wire above grade at the end of the run to allow for wiring of fixture.

2. PREPARE FOOTING

- A. To ensure adequate support, the concrete footing used to mount the 6638 pole should be 16" cubed, or according to local building codes. See installation instruction sheet for more details.
- B. This pole is supplied with a cast metal template for installing the anchor bolts in there correct position. -See Drawing 2 .
- C. Thread anchor bolts into the corners of the cast metal triangle template. Making sure the end of the bolt measure 2" (but not less than 1-3/4") from the bottom of the metal template. -See Drawing 2.
- D. Pour cement into prepared hole and before cement sets place prepared template with anchor bolts into cement. Making sure cast metal template rests on top of cement.

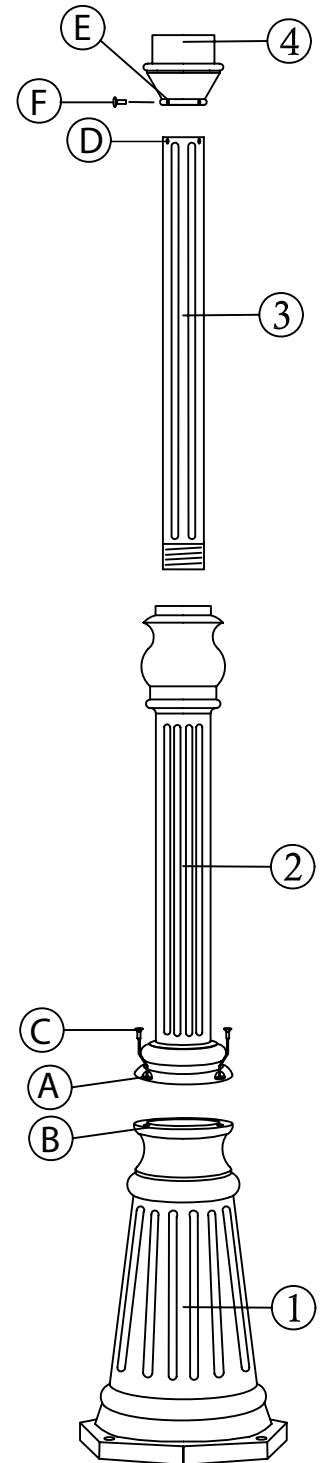
DRAWING 2



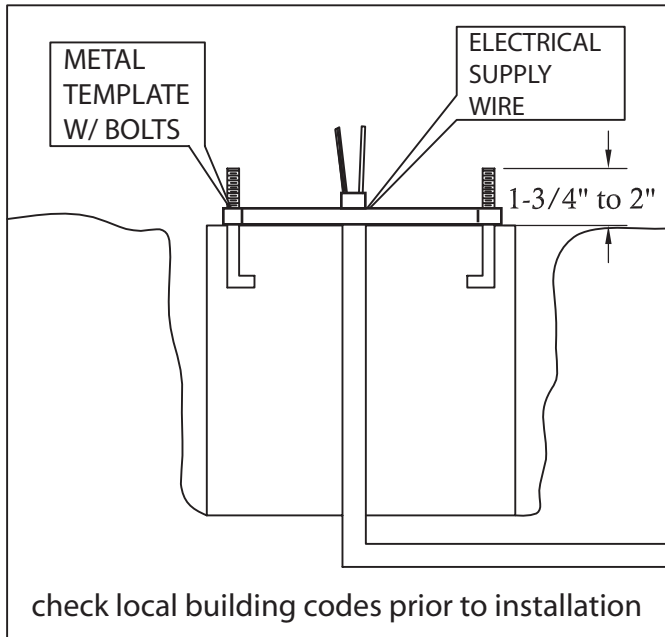
3. POLE ASSEMBLY

1. Take mid section of pole (2) and line up holes (A) with holes (B) in the bottom section (1) - See Drawing 1 for reference.
2. Thread allen head screws (C) in place, to secure sections (1) and (2).
3. Thread top section (3) into top of mid section (2) and tighten.
4. Slip post cap (4) over top of section (3). Making sure holes (D) and (E) are aligned.
5. Thread in flat head phillip screws(F) into hole (E) to secure post cap (4).
6. Pole is complete and may be mounted to footer.

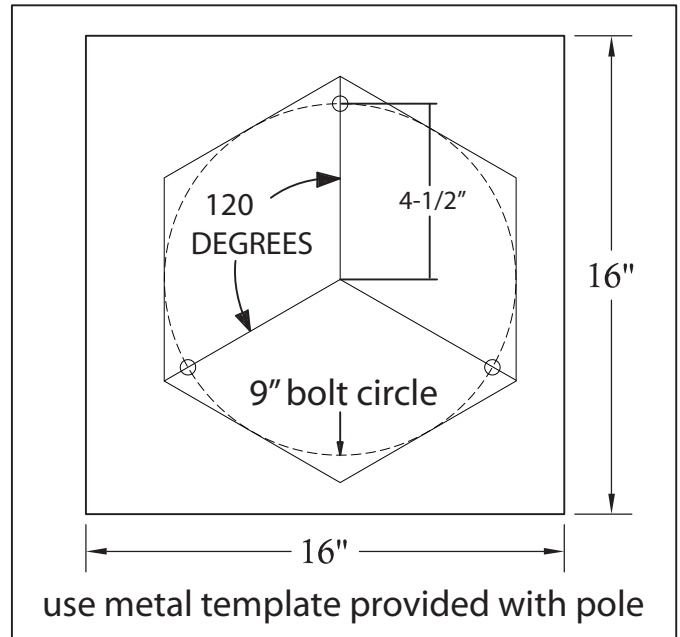
DRAWING 1



FOOTING DETAIL VIEW



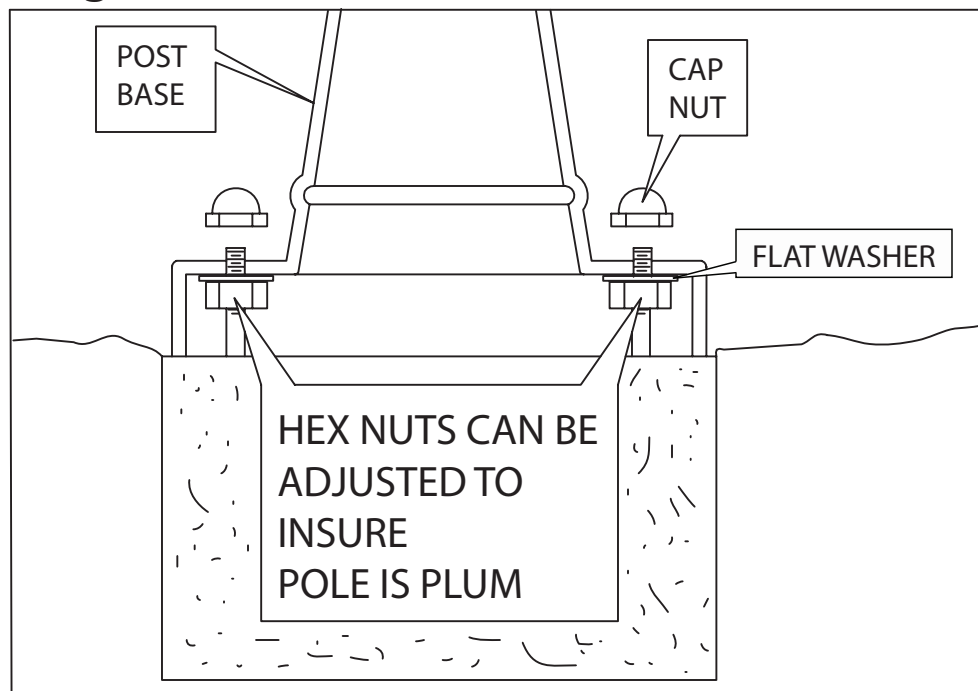
BOLT PATTERN

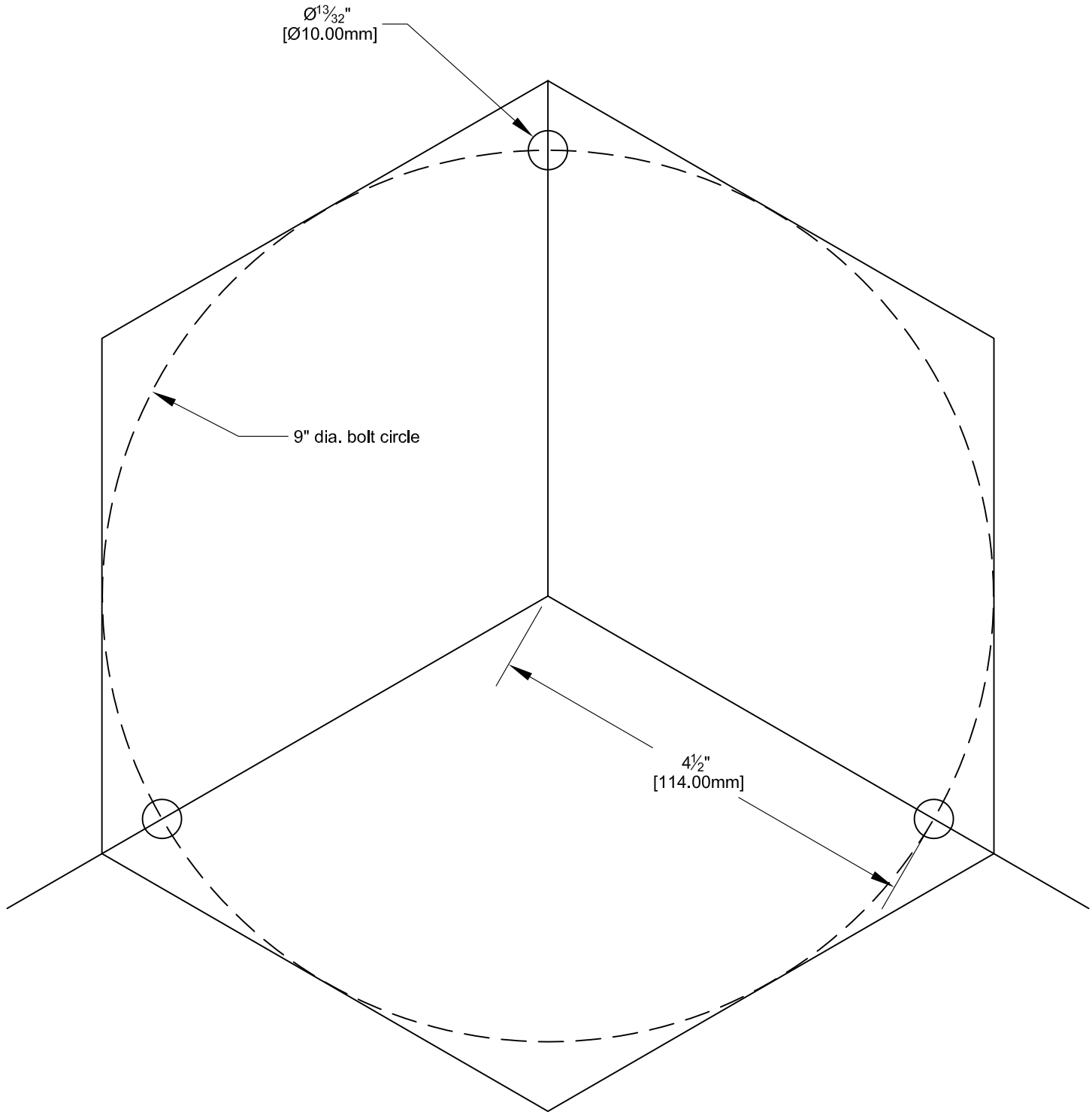


4. MOUNTING LAMP POST TO FOOTING

1. Thread hex nuts onto anchor bolts and adjust to that the tops of the hex nuts are **1-1/4"** above the footing - see **Diagram C**
2. Slip flat metal washer onto anchor bolts.
3. Slip pole base over anchor bolts and check for plum. If pole is not plum adjustments can be made to hex nuts under base to correct any leaning.
4. When pole is plum finish installation by threading on the and tightening the cap nuts provided.

Diagram C





HINKLEY
 LIGHTING®

design • illuminate • enjoy

Tolerance +/- 1/32"

COMMENTS

DESCRIPTION

6638 Template
 bolt pattern for 6638 pole.

DR BY

DATE

SCALE

REV

rjb

10-18-10

full

-

6638

SHT.
 1