

Ceiling Fan Installation Manual



P2502

PROGRESS LIGHTING 15-Year Limited Warranty

PROGRESS LIGHTING FAN MOTORS ARE WARRANTED TO THE END USER TO BE FREE OF ELECTRICAL AND/OR MECHANICAL DEFECTS FOR A PERIOD OF 15 YEARS FROM DATE OF SALE. PULL CHAIN SWITCHES, REVERSE SWITCHES, CAPACITORS AND METAL FINISHES ARE WARRANTED FOR A PERIOD OF 1 YEAR. WARPING OF WOODEN OR PLASTIC BLADES IS NOT COVERED BY THIS WARRANTY.

THE END USER HAS THE OPTION OF RETURNING THE DEFECTIVE FAN TO THE PLACE OF PURCHASE DURING THE FIRST 30 DAYS FOR A REPLACEMENT. AFTER 30 DAYS, THE PURCHASER MUST CONTACT PROGRESS LIGHTING FOR REPAIR OR REPLACEMENT. THE END USER ALSO BEARS THE RESPONSIBILITY FOR ALL COSTS IN THE REMOVAL, SHIPPING AND REINSTALLATION OF FANS OR PARTS FOR REPAIR OR REPLACEMENT.

PROGRESS LIGHTING WILL NOT ASSUME LIABILITY OR RESPONSIBILITY FOR DAMAGES (INCLUDING INCIDENTAL OR CONSEQUENTIAL) CAUSED BY THE IMPROPER INSTALLATION OR OPERATION OF THE UNIT OR ITS COMPONENT PARTS, OR BY THE FAILURE OF SUPPORTING HARDWARE NOT SUPPLIED BY PROGRESS LIGHTING. THIS WARRANTY IS GIVEN IN LIEU OF ALL OTHER GUARANTEES, WHETHER EXPRESSED OR IMPLIED, AND IS VOIDED IN CASES OF ABUSE, MISUSE OR IMPROPER HANDLING, NEGLIGENCE, SHIPPING DAMAGE, UNAUTHORIZED REPAIRS (MADE OR ATTEMPTED) OR UNUSUAL APPLICATION.

SOME STATES DO NOT ALLOW LIMITATIONS ON HOW LONG AN IMPLIED WARRANTY LASTS OR THE EXCLUSION OR LIMITATIONS OF INCIDENTAL OR CONSEQUENTIAL DAMAGES, SO THE ABOVE LIMITATIONS AND EXCLUSIONS MAY NOT APPLY TO YOU. THIS WARRANTY GIVES YOU SPECIFIC RIGHTS AND YOU MAY HAVE OTHER RIGHTS WHICH VARY FROM STATE TO STATE.



15-Year Limited Warranty

Date Purchased _____

Store Purchased _____

Model No. _____ EF200D

Serial No. _____

Vendor No. _____ 5523

UPC _____ 785247 250219

_____ 785247 114511

_____ 785247 149339

_____ 785247 161461

Safety Rules	Page 1
Unpacking Your Fan	Page 2
Installing Your Fan	Page 3
Operating Your Fan	Page 10
Care of Your Fan/Specifications.....	Page 11
Troubleshooting	Page 12

Table of Contents

READ AND SAVE THESE INSTRUCTIONS

1. To reduce the risk of electric shock, insure electricity has been turned off at the circuit breaker or fuse box before beginning.
2. All wiring must be in accordance with the National Electrical Code and local electrical codes. Electrical installation should be performed by a qualified licensed electrician.
3. **WARNING:** To reduce the risk of electrical shock and fire, do not use this fan with any solid-state fan speed control device.
4. **CAUTION:** To reduce the risk of personal injury, use only the screws provided with the outlet box.
5. The outlet box and support structure must be securely mounted and capable of reliably supporting a minimum of 35 pounds. Use only UL Listed outlet boxes marked "FOR FAN SUPPORT."
9. To avoid personal injury or damage to the fan and other items, be cautious when working around or cleaning the fan.
10. Do not use water or detergents when cleaning the fan or fan blades. A dry dust cloth or lightly dampened cloth will be suitable for most cleaning.
11. After making electrical connections, spliced conductors should be turned upward and pushed carefully up into outlet box. The wires should be spread apart with the grounded conductor and the equipment-grounding conductor on one side of the outlet box and ungrounded conductor on the other side of the outlet box.
12. Suitable for Use In Wet Locations When Installed In A GFCI Protected Branch Circuit.

This Fan is suitable for wet location.

WARNING

TO REDUCE THE RISK OF FIRE, ELECTRIC SHOCK OR PERSONAL INJURY, MOUNT FAN TO OUTLET BOX MARKED ACCEPTABLE FOR FAN SUPPORT WITH THE SCREWS PROVIDED WITH THE OUTLET BOX.

6. The fan must be mounted with a **minimum of 7 feet clearance** from the trailing edge of the blades to the floor.
7. Do not operate reversing switch while fan blades are in motion. Fan must be turned off and blades stopped before reversing blade direction.
8. Avoid placing objects in the path of the blades.

WARNING

TO REDUCE THE RISK OF PERSONAL INJURY, DO NOT BEND THE BLADE BRACKETS (ALSO REFERRED TO AS "FLANGES") DURING ASSEMBLY OR AFTER INSTALLATION. DO NOT INSERT OBJECTS IN THE PATH OF THE BLADES.

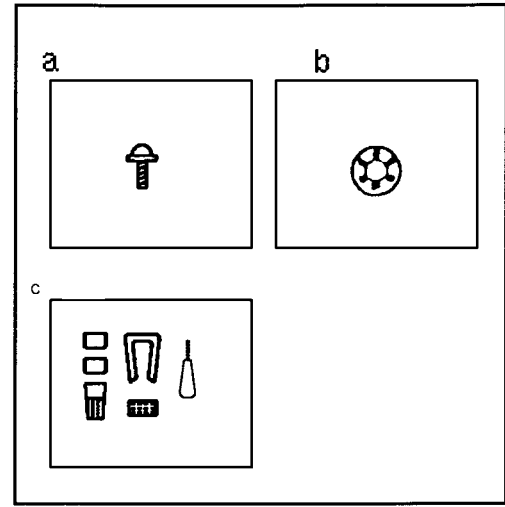
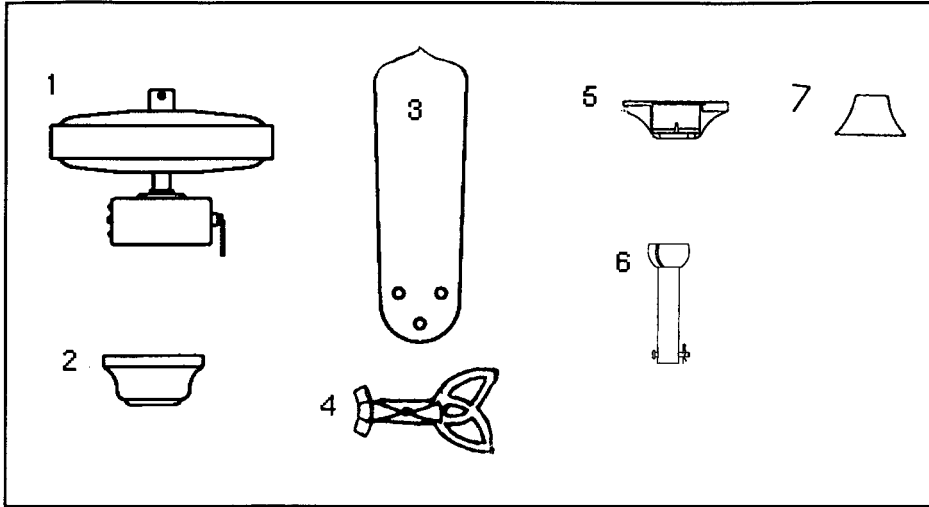
IMPORTANT

PLEASE REMOVE RUBBER MOTOR STOPS ON THE BOTTOM OF THE FAN BEFORE INSTALLING BLADES OR TESTING MOTOR

WARNING

THIS PRODUCT CONTAINS CHEMICALS KNOWN TO THE STATE OF CALIFORNIA TO CAUSE CANCER, BIRTH DEFECTS AND/OR OTHER REPRODUCTIVE HARM. THOROUGHLY WASH HANDS AFTER INSTALLING, HANDLING, CLEANING, OR OTHERWISE TOUCHING THIS PRODUCT.

1. Safety Rules



Unpack your fan and check the contents. You should have the following items:

1. Fan Motor Assembly
2. Canopy
3. Blades (5)
4. Blade Bracket Set (5)
(with blade bracket screws pre-installed)
5. Slide-On Mounting Plate (located inside canopy) and Mounting Hardware
6. Ball/Downrod Assembly (1)
(with bolt and clevis pin pre-attached)
7. Motor collar cover

a. **Blade attachment hardware**

(15 washer head screws)

b. **Mounting hardware** (1 rubber gasket).

c. **Electrical hardware & Balancing Kit**

(3 plastic wire connectors, 1 Pull Chain blade balancing kit).

IMPORTANT

PLEASE REMOVE RUBBER MOTOR STOPS ON THE BOTTOM OF THE FAN BEFORE INSTALLING BLADES OR TESTING MOTOR

Unpacking Your Fan 2.

Tools Required

Phillips screw driver, straight slot screw driver, adjustable wrench, step ladder, and wire cutters.

Mounting Options

If there isn't an existing mounting box, then read the following instructions. Disconnect the power by removing fuses or turning off circuit breakers.

Secure the outlet box directly to the building structure. Use appropriate fasteners and building materials. The outlet box and its support must be able to fully support the moving weight of the fan (at least 35 lbs.). Do not use plastic outlet boxes.

WARNING
TO REDUCE THE RISK OF FIRE, ELECTRIC SHOCK, OR OTHER PERSONAL INJURY, MOUNT FAN ONLY TO AN OUTLET BOX MARKED ACCEPTABLE FOR FAN SUPPORT AND USE THE MOUNTING SCREWS PROVIDED WITH THE OUTLET BOX. OUTLET BOXES COMMONLY USED FOR THE SUPPORT OF LIGHTING FIXTURES MAY NOT BE ACCEPTABLE FOR FAN SUPPORT AND MAY NEED TO BE REPLACED. CONSULT A QUALIFIED ELECTRICIAN IF IN DOUBT.

Figures 1, 2, and 3 are examples of different ways to mount the outlet box.

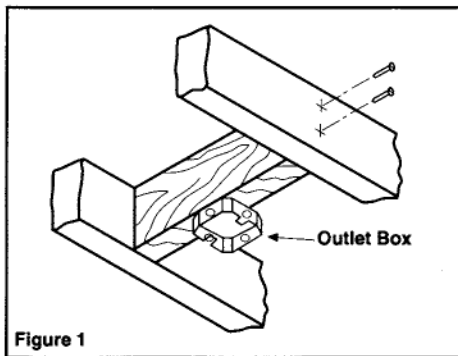


Figure 1

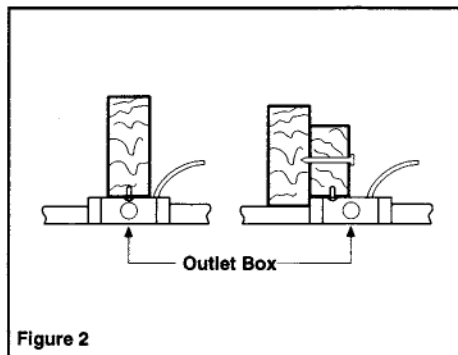


Figure 2

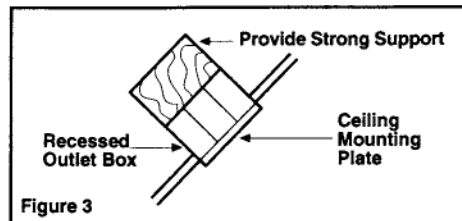


Figure 3

Note: You may need a longer down-rod to maintain proper blade clearance when installing on a steep, sloped ceiling. **The maximum angle allowable is 30°** If the canopy touches downrod, remove the decorative canopy bottom cover and turn the canopy 180° before attaching the canopy to the mounting plate.

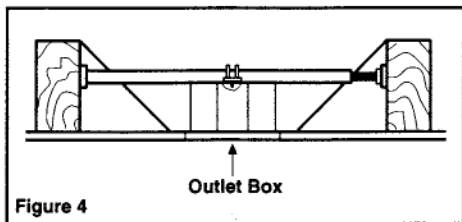


Figure 4

To hang your fan where there is an existing fixture but no ceiling joist, you may need an installation hanger bar as shown in Figure 4 (available at your Progress Lighting Retailer).

3. Installing Your Fan

Hanging the Fan

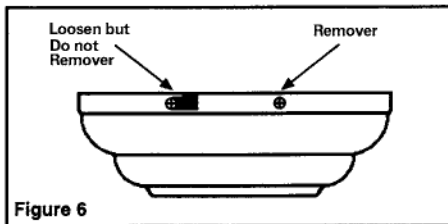
REMEMBER to turn off the power. Follow the steps below to hang your fan properly.

NOTE: This ceiling fan is supplied with **two types of hanging assemblies**; the standard ceiling installation using the downrod with ball and socket mounting, and the “close-to-ceiling” mounting. The “close-to-ceiling” mounting is recommended in rooms with less than 8-foot ceilings or in areas where additional space is desired from the floor to the fan blades. When using standard downrod installation, the distance from the ceiling to the bottom of the fan blades will be approximately 12 inches. The “close-to-ceiling” installation reduces the distance from the ceiling to the bottom of the fan blades to approximately 9 inches.

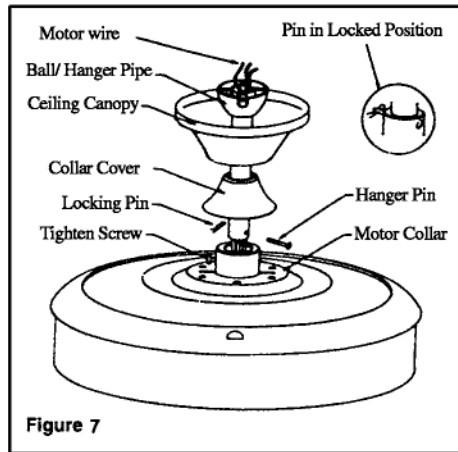
Once you have decided which ceiling installation you will use, proceed with the following instructions. Where necessary, each section of the instructions will note the different procedures to follow for the two types of installation.

OPTION 1: STANDARD CEILING MOUNTING

1. Remove the hanger bracket from the canopy by loosening the four screws on the top of the canopy. Remove the two non-slotted screws and loosen the slotted screws. This will enable you to remove the hanger bracket. (Figure 6)



2. Remove the bolt and the clevis pin from the downrod assembly.
3. Route the wires exiting the top of the fan motor through the canopy, and then through the ball/downrod assembly and collar cover. (Figure 7)
4. Loosen, but do not remove, the 2 set screws on the collar on the top of the motor housing.
5. Align the holes at the bottom of the downrod with holes in the collar on top of the motor housing (Figure 7). Carefully insert the bolt through the holes in the collar and downrod. Be careful not to jam the bolt against the wiring inside the downrod. Insert clevis pin and bend to ensure security, as noted in the circle inset of Figure 7.
6. Tighten the two screws on the collar on the top of the motor housing (Fig. 7).

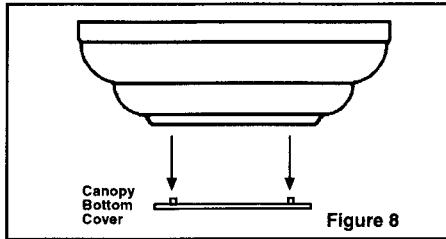


OPTION 2: CLOSE-TO-CEILING MOUNTING

1. Remove the hanger bracket from the canopy by loosening the four screws on the top of the canopy. Remove the two non-slotted screws and loosen the slotted screws. This will enable you to remove the hanger bracket. (Figure 6)
2. Remove the decorative canopy bottom cover from the canopy by depressing the three studs. (Figure 8).

WARNING
FAILURE TO PROPERLY INSTALL LOCKING PIN AS NOTED IN STEP 4 COULD RESULT IN FAN LOOSENING AND POSSIBLY FALLING.

- Remove three of the six screws and lock-washers (every other one) securing the motor collar to the top of the fan motor housing (Figure 9).
- Place the rubber gasket over the remaining three screws, route the wires exiting the top of the fan motor through the canopy (make sure the slot openings are on top) then proceed to place the ceiling canopy over the collar at the top of the motor (Figure 10).
- Align the mounting holes with the holes in the motor and fasten, using the three screws and lock-washers provided in the close-to-ceiling mount hardware packet. (Figure 10).

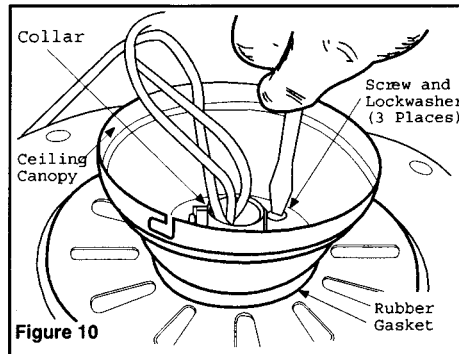
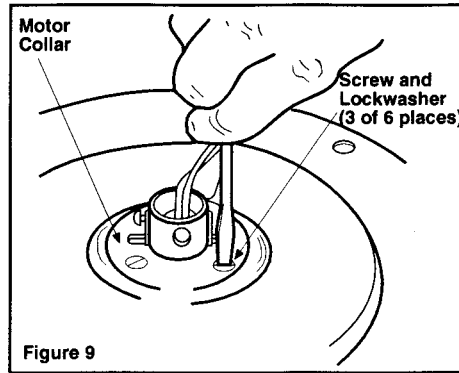


- Tighten the mounting screws securely.

WARNING

FAILURE TO COMPLETELY TIGHTEN THE THREE SCREWS IN STEP 6 COULD RESULT IN FAN LOOSENING AND POSSIBLY FALLING.

5.

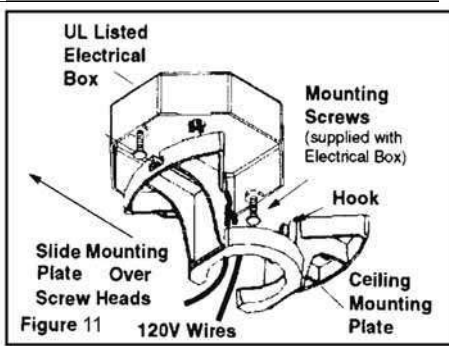


WARNING

TO REDUCE THE RISK OF FIRE, ELECTRIC SHOCK, OR OTHER PERSONAL INJURY, MOUNT FAN ONLY TO AN OUTLET BOX MARKED ACCEPTABLE FOR FAN SUPPORT AND USE THE MOUNTING SCREWS PROVIDED WITH THE OUTLET BOX.

Installing Fan to the Electrical Box

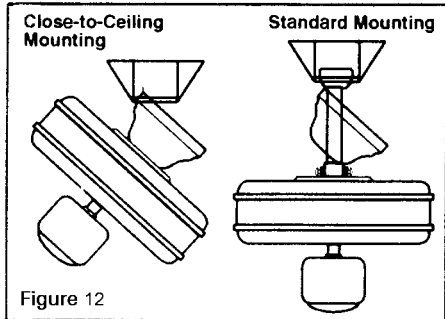
- Pass the 120-volt supply wires through the center hole in the ceiling mounting plate as shown in Figure 11.
- Install the ceiling mounting plate on the electrical box by mounting screws provided with the outlet box. When using close-to-ceiling mounting, it is important that the mounting plate be level. If necessary, use leveling washers (not supplied) between the mounting plate and electrical box. Note that the flat side of the mounting plate is toward the electrical box (Figure 11).
- Securely tighten the two mounting screws.



WARNING
 THE HOOK AS SHOWN IN FIG. 12 IS ONLY TO BALANCE FAN WHILE ATTACHING WIRING. FAILURE TO HANG AS SHOWN IN FIG. 12 MAY RESULT IN HOOK BREAKING CAUSING THE FAN TO FALL. HOOK MUST PASS FROM INSIDE TO OUTSIDE OF CANOPY.

WARNING
 WHEN USING THE STANDARD BALL/HANGER PIPE MOUNTING, THE TAB IN THE RING AT THE BOTTOM OF THE MOUNTING PLATE MUST REST IN THE GROOVE OF THE HANGER BALL. FAILURE TO PROPERLY SEAT THE TAB IN THE GROOVE COULD CAUSE DAMAGE TO WIRING.

- Carefully lift the fan assembly up to the ceiling mounting plate. If using close-to ceiling mounting, hang the fan on the hook provided by utilizing one of the holes at the outer rim of the ceiling canopy (Figure 12). If using standard mounting, seat the hanger ball in the mounting plate socket. Make sure the tab on the mounting plate socket is properly seated in the groove in the hanger ball.



Making the Electrical Connections

REMEMBER to disconnect the power. If you feel that you do not have enough electrical wiring knowledge or experience, have your fan installed by a licensed electrician.

Follow the steps below to connect the fan to your household wiring. Use the wire connecting nuts supplied with your fan. Secure the connectors with electrical tape. Make sure there are no loose strands or connections.

Step 1 Connect the two green fan ground wires, located on the downrod and mounting plate, to the household ground wire. When using Close-to-Ceiling mounting, there is only one green ground wire from the ceiling mounting plate since the ball/downrod assembly is not used.

Step 2 Connect the fan light supply (blue) wire and the fan supply (black) wire to the black household supply wire as shown in Figure 13.

Step 3 Connect the neutral fan (white) wire to the white neutral household wire.

Step 4 After connecting the wires, spread them apart so that the green and white wires are on one side of the outlet box and the black wire is on the other side.

Step 5 Turn the wire connecting nuts upward and push the wiring into the outlet box.

WARNING

TO REDUCE THE RISK OF FIRE OR ELECTRIC SHOCK, DO NOT USE A WALL MOUNTED SOLID STATE SPEED CONTROL WITH THIS FAN. IT WILL PERMANENTLY DAMAGE THE ELECTRONIC CIRCUITRY.

WARNING

EACH WIRE NUT (WIRE CONNECTOR) SUPPLIED WITH THIS FAN IS DESIGNED TO ACCEPT UP TO ONE 12 GAUGE HOUSE WIRE AND TWO WIRES FROM THE FAN. IF YOU HAVE LARGER THAN 12 GAUGE HOUSE WIRING OR MORE THAN ONE HOUSE WIRE TO CONNECT TO THE FAN WIRING, CONSULT AN ELECTRICIAN FOR THE PROPER SIZE WIRE NUTS TO USE.

WARNING
ELECTRICAL DIAGRAMS ARE FOR REFERENCE ONLY. OPTIONAL USE OF ANY LIGHT KIT SHALL BE UL LISTED AND MARKED SUITABLE FOR USE WITH THIS FAN.

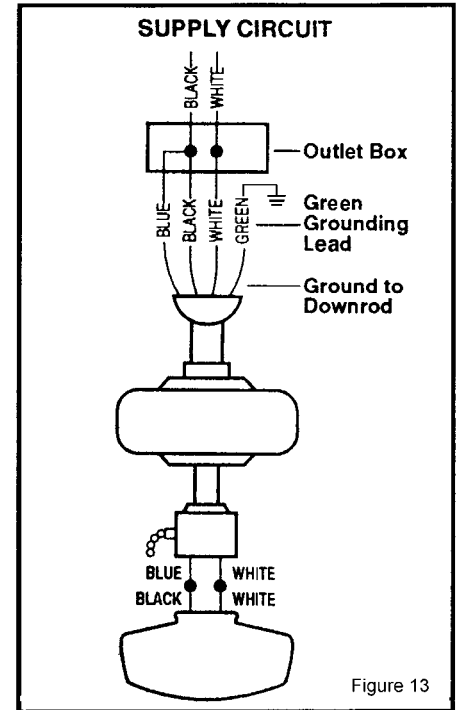


Figure 13

Finishing the Fan Installation

OPTION 1: STANDARD CEILING MOUNTING

1. Align the locking slots of the ceiling canopy with the two screws in the mounting plate. Push up to engage the slots and turn clockwise to lock in place. Immediately tighten the two mounting screws firmly.
2. Install the remaining two mounting screws into the holes in the canopy and tighten firmly.
3. You may now proceed to attaching the fan blades.

WARNING

WHEN USING THE STANDARD BALL/DOWNROD MOUNTING, THE TAB IN THE RING AT THE BOTTOM OF THE MOUNTING PLATE MUST REST IN THE GROOVE OF THE HANGER BALL. FAILURE TO PROPERLY SEAT THE TAB IN THE GROOVE COULD CAUSE DAMAGE TO WIRING.

WARNING

LOCKING SLOTS OF CEILING CANOPY ARE PROVIDED ONLY AS AN AID TO MOUNTING. DO NOT LEAVE FAN ASSEMBLY UNATTENDED UNTIL ALL FOUR CANOPY SCREWS ARE ENGAGED AND FIRMLY TIGHTENED.

OPTION 2: CLOSE-TO-CEILING MOUNTING

1. Carefully unhook the fan from the mounting plate and align the locking slots of the ceiling canopy with the two screws in the mounting plate. Push up to engage the slots and turn clockwise to lock in place. Immediately tighten the two mounting screws firmly.

2. Install the remaining two mounting screws into the holes in the canopy and tighten firmly.
3. You may now proceed to attaching the fan blades.

Attaching the Fan Blades

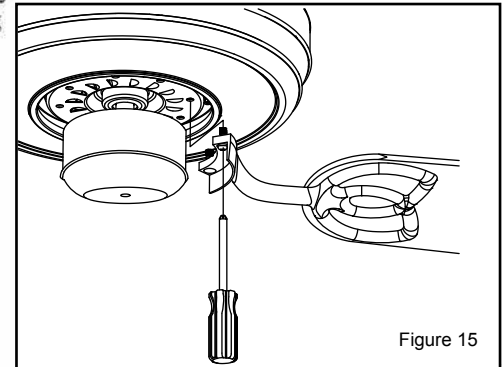
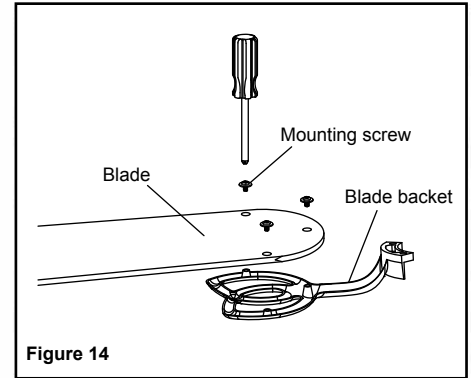
1. Attach blade to blade bracket using the screws as shown in Figure 14 . Please note that the rubber washers are pre-attached to the blade bracket. Start a screw into the bracket. Repeat for the two remaining screws.
2. Tighten each screw securely.
3. Fasten the blade assembly to the motor by inserting the alignment post into the slot on the bottom of the motor and tightening the motor screws. Please note that the motor screws are pre-attached into the blade brackets. (Figure 15)
4. Repeat steps 1, 2 & 3 for the remaining blades.

Blade Balancing

All blades are grouped by weight. Because plastic injection blades vary in density, the fan may wobble even though the blades are weight matched. The following procedure should correct most fan wobble. Check after each step.

1. Check that all blade and blade bracket screws are secure.
2. Most fan wobble problems are caused when blade levels are unequal. Check this level by selecting a point on the ceiling above the tip of one of the blades. Measure from a point on the center of each blade to the point on the ceiling. Measure this distance as shown in Figure 16. Rotate the fan until the next blade is positioned for measurement. Repeat for each blade. Measurements deviation should be within 1/8". Run the fan for 10 minutes.

3. Make sure that canopy is tightened securely to ceiling mounting plate, and that the ceiling mounting plate is tightened securely to the electrical box.
4. Interchanging two adjacent blades can redistribute the weight and possibly result in smoother operation.
5. Use the enclosed Blade Balancing Kit if the blade wobble is still noticeable.



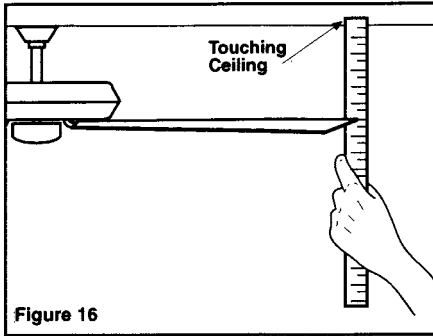


Figure 16

NOTE
 NOTE: WAIT FOR FAN TO STOP BEFORE REVERSING THE DIRECTION OF BLADE ROTATION.

WARNING
 TO REDUCE THE RISK OF PERSONAL INJURY, DO NOT BEND THE BLADE HOLDERS WHILE INSTALLING, BALANCING THE BLADES, OR CLEANING THE FAN. DO NOT INSERT FOREIGN OBJECTS BETWEEN ROTATING FAN BLADES.

Turn on the power and check the operation of the fan. The pull chain controls the fan speed as follows: 1 pull - High, 2 pulls - Medium, 3 pulls - Low and 4 pulls - Off.

Speed settings for warm or cool weather depend on factors such as the room size, ceiling height, number of fans, and so on.

Warm weather – (Forward) A downward air flow creates a cooling effect as shown in Figure 17. This allows you to set your air conditioner on a higher setting without affecting your comfort.

Cool weather – (Reverse) An upward airflow moves warm air off the ceiling area as shown in Figure 18. This allows you to set your heating unit on a lower setting without affecting your comfort.

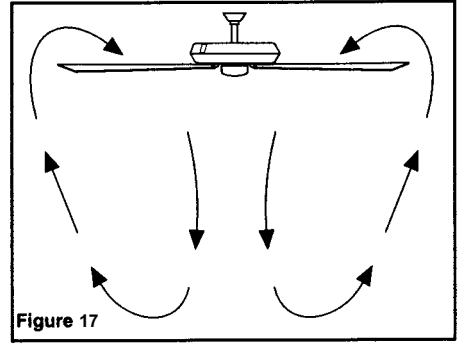


Figure 17

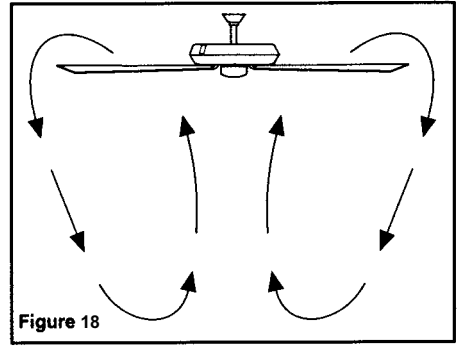


Figure 18

10. Operating Your Fan

FAN SIZE	SPEED	VOLTS	AMPS	WATTS	RPM	N.W.	G.W.
52"	Low	120	0.25	17	90	17.1 (7.8Kg)	19.1 (8.7Kg)
	Med.	120	0.36	35	130		
	High	120	0.46	56	180		

These are approximate measures. They do not include Amps and Wattage used by the light kit.

Here are some suggestions to help you maintain your fan.

1. Because of the fan's natural movement, some connections may become loose. **Check the support connections, brackets, and blade attachments twice a year.** Make sure they are secure. **(It is not necessary to remove fan from ceiling.)**

2. Clean your fan periodically to help maintain its new appearance over the years. Do not use water when cleaning. Use only a soft brush or lint-free cloth to avoid scratching the finish. The plating is sealed with a lacquer to minimize discoloration or tarnishing. This could damage the motor, or

the wood, or possibly cause an electrical shock.

3. You can apply a light coat of furniture polish to the wood for additional protection and enhanced beauty. Cover small scratches with a light application of shoe polish.

4. **There is no need to oil your fan.** The motor has permanently lubricated sealed ball bearings.

WARNING

MAKE SURE THE POWER IS OFF AT THE ELECTRICAL PANEL BOX BEFORE YOU ATTEMPT ANY REPAIRS. REFER TO THE SECTION, "MAKING ELECTRICAL CONNECTIONS."

© 2007 Progress Lighting, Inc.
701 Millennium Blvd.,
Greenville, SC 29607
All Rights Reserved

11. Care of Your Fan/Specifications

Problem

Solution

Fan will not start.

1. Check main and branch circuit fuses or breakers.
2. Check line wire connections to the fan and switch wire connections in the switch housing.
CAUTION: Make sure main power is off.

Fan sounds noisy.

1. Make sure all motor housing screws are snug.
2. Make sure the screws that attach the fan blade bracket to the motor hub are tight.
3. Make sure wire nut connections are not rattling against each other or the interior wall of the switch housing.
CAUTION: Make sure main power is off.
4. Allow a 24-hour “breaking-in” period. Most noises associated with a new fan disappear during this time.
5. If using the Ceiling Fan light kit, make sure the screws securing the glassware are tight. Check that the light bulb is also secure.
6. Make sure the canopy is a short distance from the ceiling.
It should not touch the ceiling.
7. Make sure your ceiling box is secure and rubber isolator pads were used between the hanger bracket and ceiling box.

Troubleshooting 12.

Garantía Limitada de 15 Años

LOS VENTILADORES PROGRESS LIGHTING GARANTIZAN AL CONSUMIDOR ESTAR LIBRES DE DEFECTOS ELÉCTRICOS Y/O MECÁNICOS POR UN PERÍODO DE 15 AÑOS A PARTIR DE LA FECHA DE VENTA. LOS INTERRUPTORES CON CADENA, LOS INTERRUPTORES DE INVERSIÓN, LOS CONDENSADORES Y LAS TERMINACIONES METÁLICAS ESTÁN GARANTIZADAS POR UN PERÍODO DE 1 AÑO. LAS PALETAS PANDEADAS DE MADERA O PLÁSTICO NO ESTÁN CUBIERTAS POR ESTA GARANTÍA.

EL CONSUMIDOR TIENE LA OPCIÓN DE DEVOLVER EL VENTILADOR DEFECTUOSO PARA SU CAMBIO AL NEGOCIO DE ADQUISICIÓN DURANTE LOS 30 DÍAS SIGUIENTES. DESPUÉS DE 30 DÍAS, EL COMPRADOR DEBE CONTACTAR PROGRESS LIGHTING PARA LA REPARACIÓN O REEMPLAZO. EL CONSUMIDOR SE HARÁ CARGO DE TODOS LOS COSTOS DE TRANSPORTE, EXPEDICIÓN Y REINSTALACIÓN DE LOS VENTILADORES O DE LAS PARTES PARA REPARAR O REEMPLAZAR.

PROGRESS LIGHTING NO ASUMIRÁ OBLIGACIONES O RESPONSABILIDAD POR DAÑOS (INCLUYENDO INCIDENTALES O CONSIGUIENTES) CAUSADOS POR EL USO O LA INSTALACIÓN IMPROPIA DE LA UNIDAD O DE SUS PARTES COMPONENTES, O POR LA FALLA DEL EQUIPO DE SOPORTE NO SUMINISTRADO POR PROGRESS LIGHTING. ESTA GARANTÍA ESTÁ DADA EN LUGAR DE TODAS LAS OTRAS GARANTÍAS, SEAN ÉSTAS EXPRESAS O IMPLÍCITAS, Y ES INVÁLIDA EN CASOS DE ABUSO, USO O MANEJO INCORRECTOS, TRATAMIENTO NEGLIGENTE, DAÑOS OCASIONADOS POR EL TRANSPORTE, REPARACIONES NO AUTORIZADAS (REALIZADAS O TENTATIVAS) O APLICACIÓN INUSUAL.

ALGUNOS ESTADOS NO RECONOCEN LIMITACIONES EN EL TÉRMINO DE LA GARANTÍA IMPLICADA O LA EXCLUSIÓN O LIMITACIÓN DE LOS DAÑOS INCIDENTALES O CONSIGUIENTES, ENTONCES LAS LIMITACIONES Y EXCLUSIONES PRECEDENTES PUEDEN NO SER APLICABLES A UD. ESTA GARANTÍA LE OTORGA DERECHOS ESPECÍFICOS Y UD. PUEDE TENER OTROS DERECHOS QUE VARÍEN DE ESTADO EN ESTADO.

Fecha de compra _____

Lugar de compra _____

No. de modelo _____ EF200D

No. de serie _____

No. de vendedor _____ 5523

UPC _____ 785247 250219

_____ 785247 114511

_____ 785247 149339

_____ 785247 161461

Garantía limitada de 15 Años

Reglas de Seguridad	Página 1
Cómo Desembalar Su Ventilador	Página 2
Cómo Instalar Su Ventilador	Página 3
Cómo Operar Su Ventilador	Página 10
Cómo Cuidar Su Ventilador.....	Página 11
Resolución de Problemas.....	Página 12
Especificaciones.....	Página 13

Indice

LEER Y GUARDAR INSTRUCCIONES

1. Para reducir el riesgo de una electrocución, asegurarse de cortar el suministro eléctrico apagando los cortocircuitos o la caja de fusibles, antes de comenzar
2. Todo cableado debe realizarse conforme al Código Nacional de Electricidad "ANSI/ NFPA 70-1996" y los códigos eléctricos locales. La instalación eléctrica deberá ser hecha por un electricista calificado y licenciado.
3. **ADVERTENCIA:** Para reducir el riesgo de un golpe eléctrico e incendio, no usar este ventilador con ningún dispositivo de estado sólido para el control de velocidad del ventilador.
4. **ADVERTENCIA:** Para reducir el riesgo de daño personal, usar solamente los dos tornillos de acero (y arandelas de seguridad) suministrados y montar el ventilador en una caja de distribución designado "aceptable para soportar ventilador".
5. La caja de distribución y el soporte de la estructura del edificio deben estar firmemente instalados y capaces de resistir un mínimo de 35 libras.
6. El ventilador debe ser instalado con un mínimo de 7 pies (218 cm) desde la parte más baja del aspa hasta el piso.
7. No operar el conmutador inversor mientras las aspas
8. Evite colocar objetos que interfiera el giro de las aspas.
9. Para evitar daños personales o daños al ventilador y otros artículos, tener cuidado cuando esté trabajando alrededor o limpiando el ventilador.
10. No usar agua o detergente al limpiar el ventilador o las aspas. Un paño seco o ligeramente húmedo será suficiente para limpiar.
11. Después de hacer las conexiones eléctricas los conductores empalmados, deben ser girados hacia arriba y empujados cuidadosamente adentro de la caja de distribución. Los cables deben ser separados: con el conductor a tierra y el conductor a tierra del equipo en un lado de la caja de distribución.
12. Permitido en lugares húmedos o mojados cuando se instale a un interruptor protegido por "GFCI".

Este ventilador es adecuado para usarse en lugares donde puede mojarse.

ADVERTENCIA
PARA REDUCIR EL RIESGO DE INCENDIO, ELECTROCUCIÓN O DAÑO PERSONAL, INSTALAR EL VENTILADOR A UNA CAJA DE DISTRIBUCIÓN MARCADA "ACEPTADA PARA SOPORTAR VENTILADOR" Y USAR LOS TORNILLOS DE MONTAJE SUMINISTRADOS CON LA CAJA DE DISTRIBUCIÓN

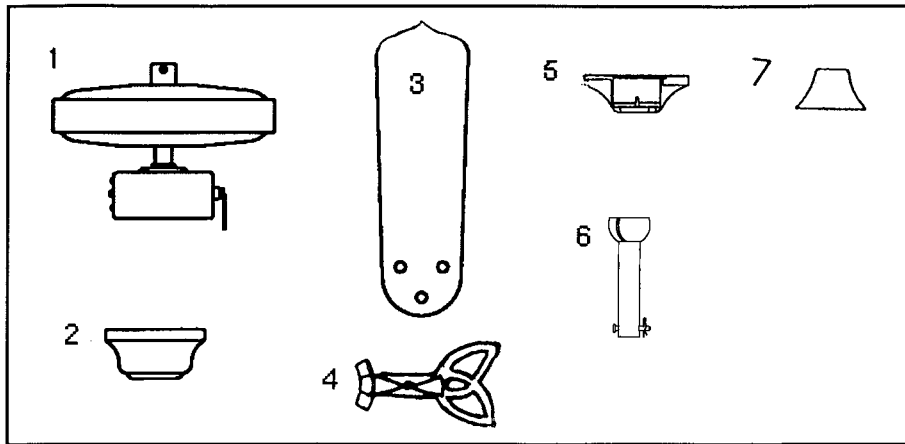
estén en movimiento. El ventilador debe ser apagado y detenido antes de invertir el giro de las aspas.

ADVERTENCIA
PARA REDUCIR EL RIESGO DE DAÑOS PERSONALES, NO DOBLE LOS SOPORTES DE LAS ASPAS DURANTE EL ENSAMBLAJE O DESPUES DE LA INSTALACION. NO INTRODUZCA OBJETOS

IMPORTANTE
POR FAVOR REMUEVA LAS GOMAS LOCALIZADAS EN LA PARTE INFERIOR DEL VENTILADOR ANTES DE INSTALAR LAS ASPAS O PROBAR EL MOTOR DEL VENTILADOR.

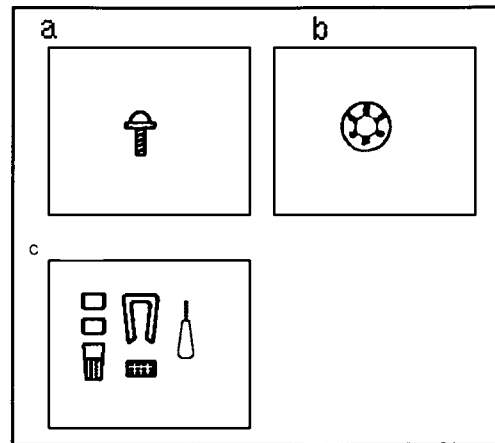
ADVERTENCIA
ESTE PRODUCTO CONTIENE SUSTANCIAS QUÍMICAS QUE SEGÚN EL ESTADO DE CALIFORNIA CAUSA CÁNCER, DEFECTOS DE NACLMLENTO Y (O) DAÑO AL SISTEMA REPRODUCTOR. LAVARSE BIEN LAS MANOS DESPUÉS DE INSTALAR, MANIPULAR, LIMPIAR O TOCAR DE MANERA ALGUNA ESTE PRODUCTO.

1. Reglas de Seguridad



Desempaque se ventilador y revise el contenido. Ud. debiera tener las siguientes partes:

- | | |
|-----------------------------------------------------------------------------------|--------------------------------------------------------|
| 1. Conjunto de motor del ventilador | junto a las partes para la instalación del ventilador) |
| 2. Escudete | |
| 3. Aspas (5) | |
| 4. Soporte del aspa o brazo (Incluye tornillos pre-instalados). | |
| 5. Soporte de Montaje Rápido (localizado dentro del escudete) | |
| 6. Conjunto de tubo descendente (1) (perno y chaveta de seguridad pre-instalados) | |
| 7. Cubridor del motor | |



- Partes para instalación de las aspas**
(15 tornillos, Almohadilla de goma sujeta al soporte de la aspa)
- Partes para la instalación del ventilador**
(1 empaadura de goma)
- Partes eléctricas** (3 conectores de plástico para cable, 1 colgantes, equipo de balanceo para las aspas)

IMPORTANTE
POR FAVOR REMUEVA LAS GOMAS LOCALIZADAS EN LA PARTE INFERIOR DEL VENTILADOR ANTES DE INSTALAR LAS ASPAS O PROBAR EL MOTOR DEL VENTILADOR.

Cómo Desembalar Su Ventilador 2.

Herramientas Requeridas

Destornillador de tipo Phillips, destornillador de paleta, llave ajustable, escalera de tijera y cortador de cable.

Opciones de Montaje

Si no existe una caja de distribución instalada, entonces leer las siguientes instrucciones: Cortar el suministro de energía eléctrica removiendo los fusibles o desconectando los circuitos.

Asegurar la caja de distribución directamente a la estructura del edificio. Usar material de construcción apropiado para el montaje de la caja. La caja de distribución y la estructura deben soportar totalmente el peso en movimiento del ventilador (por lo menos 35 libras). No usar cajas de distribución de plástico.

ADVERTENCIA
PARA REDUCIR EL RIESGO DE INCENDIO, ELECTROCUCIÓN O DAÑO PERSONAL, INSTALAR EL VENTILADOR A UNA CAJA DE DISTRIBUCIÓN MARCADA "ACEPTADA PARA SOPORTAR VENTILADOR" Y USAR LOS TORNILLOS DE MONTAJE SUMINISTRADOS CON LA CAJA DE DISTRIBUCIÓN

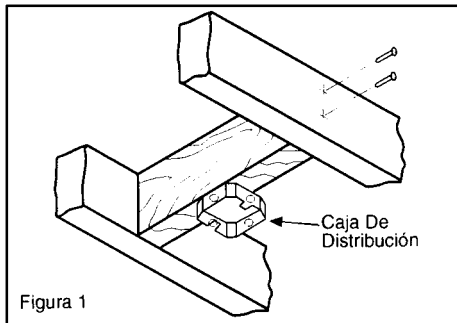


Figura 1

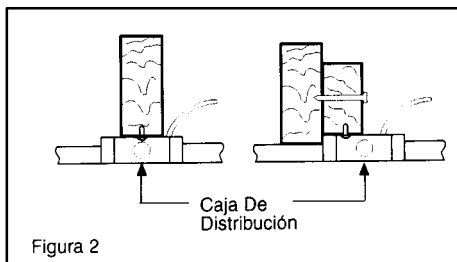


Figura 2

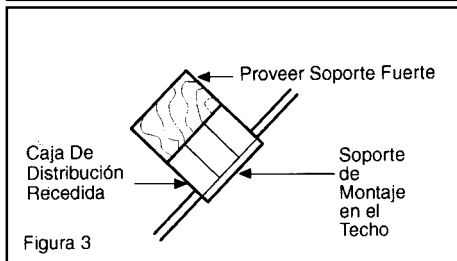


Figura 3

Nota: Ud. puede necesitar una barra de extensión para mantener la distancia apropiada de las aspas cuando la instalación se efectúe en un techo inclinado. El ángulo máximo permisible es 30°. Si el escudete toca el tubo descendiente remueva la cubierta del escudete y volteo el escudete 180° antes de conectar el escudete al soporte de montaje rápido.

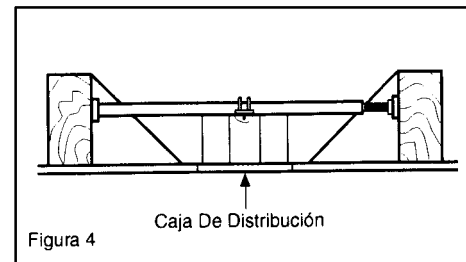


Figura 4

Las figuras 1, 2 y 3 muestran alternativas diferentes para montar la caja de distribución. Para colgar su ventilador donde ya existe una instalación pero no una viga de techo, es posible que se necesite una instalación de barra de suspensión como se muestra la Figura 4 (disponible en su distribuidor Progress Lighting).

3. Cómo Instalar Su Ventilador

Colgando el Ventilador

RECORDAR cortar el suministro de energía eléctrica. Seguir los pasos siguientes para colgar su ventilador apropiadamente. **NOTA:** Este ventilador es suministrado con dos métodos diferentes para ser colgado; el método estandar que incluye el tubo descendente con montaje de bola y receptáculo y el montaje “próximo al techo”. El método “próximo al techo”, se recomienda para habitaciones con menos de 8 pies de altura o en áreas donde se requiera mayor distancia entre el piso y las aspas del ventilador. Al usar el método estandar de montaje con tubo, la distancia entre el techo y la parte más baja de las aspas deberá ser aproximadamente 12 pulgadas. Proceda con las siguientes instrucciones una vez decida que método de montaje va utilizar.

METODO ESTANDAR DE MONTAJE

1. Remover el soporte de montaje del escudete soltando los 4 tornillos que se encuentran en la parte superior del escudete. Quitar los 2 tornillos sin muescas y soltar los tornillos muescados. Con este paso puede remover el soporte de montaje. (Fig 6)

ADVERTENCIA
AL MONTAR EL VENTILADOR EN UN TECHO INCLINADO, DEBE USARSE EL METODO ESTANDAR (TUBO DESCENDENTE). EL SOPORTE DE MONTAJE DEBE SER INSTALADO CONVENIENTEMENTE PARA QUE EL GANCHO QUEDE EN LA PARTE MAS BAJA

2. Quite la perno y chaveta de seguridad del conjunto de tubo descendente.
3. Guiar los cables existentes desde la parte superior del motor a través del escudete. Asegurese de que el orificio se encuentre en la parte superior. Guíe los cables a través del escudete y luego a través del tubo con la rótula.(Fig 7)
4. Para un mejor montaje de ángulo remover la cubierta del escudete decorativa. Luego aflojar los 2 tornillos localizados en el collarín en la parte superior del motor.
5. Alinear los huecos de la parte inferior del tubo con los huecos del collarín en la cubierta superior protectora del motor. Introducir el pasador a través de los huecos del soporte y el tubo. Tener cuidado de no dañar los cables que van por dentro del tubo. Insertar la chaveta y doblarla para asegurarlo.
6. Apriete de nuevo el juego de tornillos que esta sobre el collar en la parte superior del caparazón del motor (Figura 7).

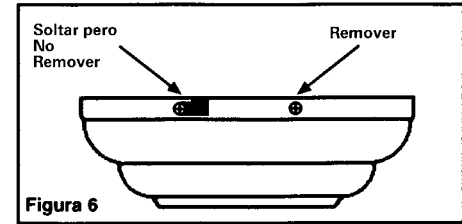
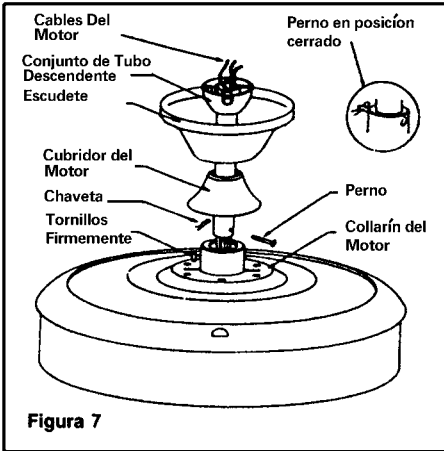


Figura 6

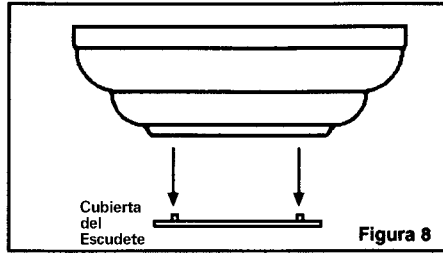
INSTALACION PROXIMA AL TECHO

1. Remover el soporte de montaje del escudete soltando los 4 tornillos que se encuentran en la parte superior del escudete. Quitar los 2 tornillos sin muescas y soltar los tornillos muescados. Con este paso puede remover el soporte de montaje rápido.

ADVERTENCIA
AJUSTAR DE FORMA INCORRECTA LAS
TUERCAS EN PASO #6 Y LOS TORNILLOS EN
PASO #7 PODRIA RESULTAR EN UN
AFLOJAMIENTO Y POSIBLE CAIDA DEL
VENTILADOR.

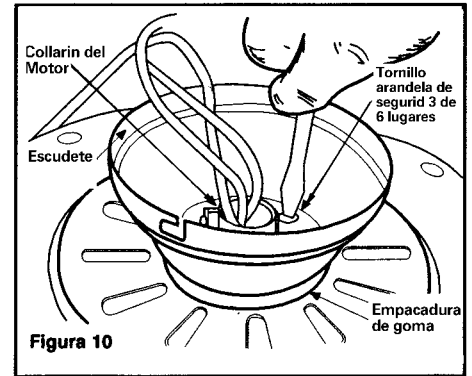
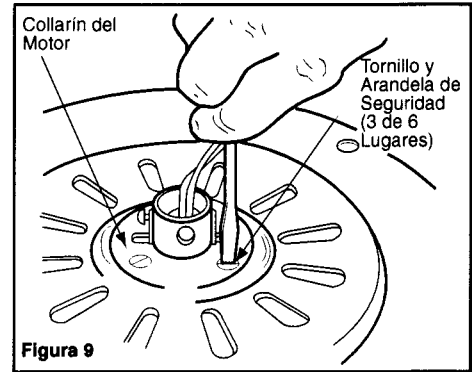


2. Remover la cubierta del escudete ejerciendo presión en los 3 tachones como muestra la Fig. 8 .
3. Remover 3 de los 6 tornillos y arandelas de seguridad (dejando uno por medio) asegurando el collarín del motor localizado en la parte superior de la cubierta del motor (Fig.9).



4. Colocar empackadura de goma encima de los tornillos restantes. Guiar los cables localizados en la parte superior del motor a través del anillo del escudete. Luego proceda a colocar el escudete sobre el collarín de cubierta localizado en la parte superior del motor. (Fig. 10)
5. Alinear los huecos de montaje con los orificios del motor asegurandolos con los 3 tornillos y arandelas de seguridad que fueron removidos en el paso #4 (Fig. 10)
6. Apretar firmemente los tornillos de montaje.

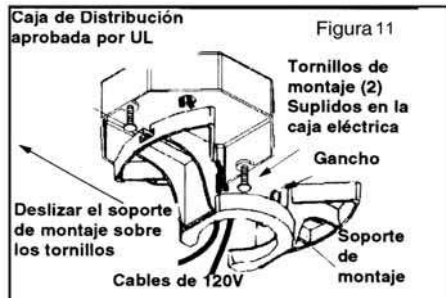
ADVERTENCIA
EL NO APRETAR COMPLETAMENTE LOS TRES
TORNILLOS EN EL PASO #6 PODRIA RESULTAR
EN UN AFLOJAMIENTO Y POSIBLE CAIDA DEL
VENTILADOR



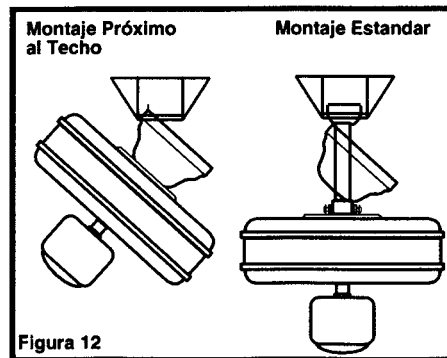
Instalando el Ventilador a la Caja Eléctrica

1. Pasar los cables de alimentación de 120 voltios a través del hueco del refuerzo superior del motor como se muestra en la (Figura 11).
2. Deslize el soporte de montaje rápido a través de los tornillos que se encuentran en la caja de distribución. Cuando instale el ventilador próximo al techo es importante que el soporte de montaje rápido este nivelado. De ser necesario use arandelas de nivel (no incluidas) entre el soporte de montaje y la caja de electricidad. El lado plano del soporte de montaje rápido deberá estar hacia la caja de electricidad. (Figura 11)
3. Presione y asegure los 2 tornillos que van instalados a la caja de montaje.

4. Cuidadosamente levante el ventilador hasta el soporte de montaje rápido. Esté seguro la ranura del soporte de montaje rápido este propiamente enganchada con el orificio encontrado en la bola del tubo descendiente. (Figura 12)



ADVERTENCIA
EL GANCHO EN LA FIGURA 12 ES SOLO PARA EQUILIBRAR EL VENTILADOR MIENTRAS SE CONECTAN LOS CABLES. EL GANCHO DEBE ENTRAR DE ADENTRO HACIA AFUERA O PUEDE CAUSAR QUE EL GANCHO SE ROMPA Y QUE EL VENTILADOR SE CAIGA.



Haciendo las Conexiones Eléctricas

Recordar de desconectar la energía eléctrica. Si Ud. cree que no tiene conocimientos ni experiencia suficientes, su ventilador debe ser instalado por un electricista licenciado.

Seguir los pasos indicados más abajo para conectar su ventilador al circuito eléctrico. Usar los conectores de cables suministrados con su ventilador. Asegurar los conectores de cables con cinta adhesiva eléctrica. Asegúrese de no dejar cables o conexiones sueltas.

Paso 1 Conectar los dos cables de tierra del ventilador localizados en el tubo o barra y el soporte de montaje (cables verdes) al cable tierra del circuito eléctrico de la casa. Al usar el método próximo al techo, existe sólo un cableverde de tierra del soporte de montaje, ya que el tubo descendiente no se usa.

Paso 2 Conectar el cable de suministro del ventilador (cable azul) y el cable del ventilador (cable negro) al cable negro del circuito eléctrico de la casa como muestra la Figura 13.

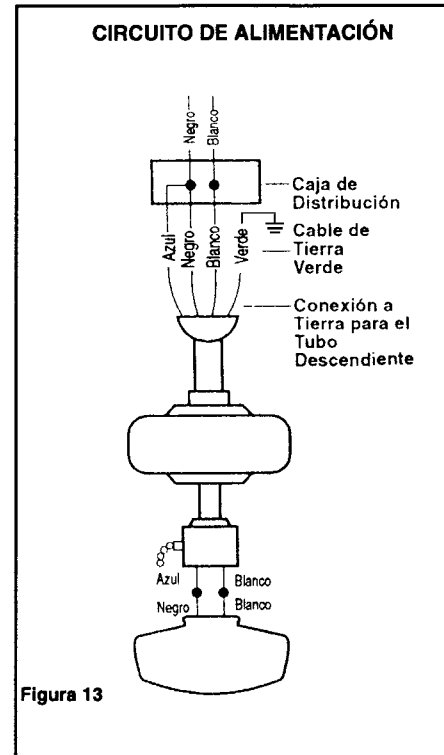
Paso 3 Conectar el cable nuevo del ventilador (cable blanco) al cable blanco del circuito eléctrico de la casa.

Paso 4 Después de conectar los cables, separarlos de manera que los cables verde y blanco queden a un lado de la caja eléctrica y el cable negro quede al otro lado.

Paso 5 Voltar los conectores de cables hacia arriba y empujar los cables dentro de la caja eléctrica.

ADVERTENCIA
VERIFICAR QUE TODAS LAS CONEXIONES ESTEN APRETADAS, INCLUYENDO TIERRA, Y QUE NO QUEDEN CABLES DESCUBIERTOS VISIBLES, EXCEPTO PARA LOS CABLES DE TIERRA.

ADVERTENCIA
LOS DIAGRAMAS PARA LAS CONEXIONES ELECTRICAS SON SOLO DE REFERENCIA. USO OPCIONAL DE CUALQUIER CONJUNTO DE LUZ DEBE ESTAR REGISTRADO POR UL Y MARCADO ADECUADAMENTE PARA EL USO DE ESTE VENTILADOR.



ADVERTENCIA
NO USAR UN DISPOSITIVO DE ESTADO SÓLIDO PARA EL CONTROL DE VELOCIDAD. ESTO DAÑARÍA PERMANENTEMENTE EL CIRCUITO ELECTRONICO DEL VENTILADOR.

ADVERTENCIA
VERIFICAR QUE TODAS LAS CONEXIONES ESTEN DE FORMA CORRECTA INCLUYENDO LA CONEXION DE TIERRA Y QUE LOS CABLES NO ESTEN VISIBLES EN LOS CONECTORES DE CABLE EXCEPTO EL CABLE DE TIERRA VERDE.

Terminando La Instalación

Opción 1: Montaje de Techo

ADVERTENCIA
AL MONTAR EL VENTILADOR USANDO EL METODO ESTANDAR DE TUBO Y ROTULA, ASEGURARSE QUE LA PESTAÑA DEL COLLARÍN EN LA PARTE INFERIOR DEL ESCUDETE QUEDE ADECUADAMENTE ENCAJADA EN LA RANURA DE LA ROTULA, ANTES DE UNIR EL ESCUDETE CON EL SOPORTE DE MONTAJE. EL NO ENCAJAR ADECUADAMENTE LA PESTAÑA EN LA RANURA PODRIA RESULTAR EN DAÑOS EN LOS CABLES ELECTRICOS.

Estandar

1. Alinear las ranuras del escudete con los dos tornillos instalados. Empujar hacia arriba y encajar las ranuras en los tornillos y girar en el sentido de los punteros del reloj para fijarlos inmediatamente.
2. Apretar los tornillos hasta que queden firmemente ajustados al soporte de montaje rápido.

8.

3. Instale el anillo decorativo del escudete alineando las ranuras del anillo con los tornillos del escudete. Gire el anillo en el sentido de los punteros del reloj y asegure firmemente. Puede proceder a instalar las aspas.

Opción 2: Montaje Próximo al Techo

1. Cuidadosamente enganche el ventilador al soporte de montaje y alinie las ranuras localizadas en el escudete con los 2 tornillos localizados en el soporte de montaje rápido. Empuje hacia arriba y encaje las ranuras de los tornillos, gire en el sentido de los punteros del reloj para fijarlos firmemente.
2. Apretar firmemente los tornillos hasta que

ADVERTENCIA
LAS RANURAS DE SEGURIDAD DEL ESCUDETE SON SUMINISTRADAS SOLAMENTE COMO AYUDA EN EL MONTAJE. NO DEJAR EL VENTILADOR DESATENDIDO HASTA QUE LOS CUATRO TORNILLOS DE LA CUPULA ESTEN COLOCADOS Y APRETADOS FIRMEMENTE.

queden ajustados al soporte de montaje rápido.

3. Instale el anillo decorativo del escudete alineando las ranuras del anillo con los tornillos del escudete. Gire el anillo en el sentido de los punteros del reloj y asegure firmemente.

4. Ahora Ud. puede proceder a instalar las aspas del ventilador.

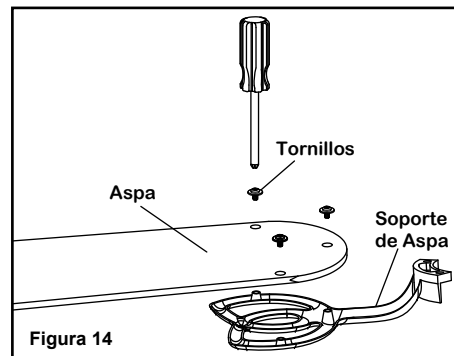
Instalando las Aspas del Ventilador

NOTE: Las aspas son reversibles. Elegir el acabado que complementa el estilo del cuarto.

Paso 1 Liga la aspa al soporte de la aspa usando los tornillos como mostrado en la Figura 14 . Nota que las arendelas ya estan sujeta al soporte de la aspa. Repeté esto con los dos ultimos tornillos.

Paso 2 Apreta cada tornillo firmemente.

Paso 3 Sujetá la asamblea de la aspa al motor por insertando el poste de alineacion



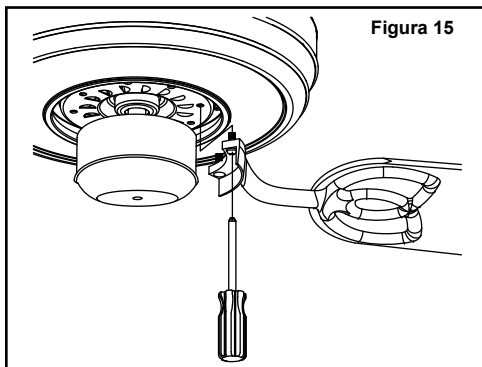


Figura 15

en la ranura del fondo del motor y apreta los tornillos firmemente. Nota que los tornillos ya están sujetos en el soporte de la aspa. (Figura 15)

Paso 4. Para cada aspa. Repetir paso 1, 2, y 3.

Instalación del Equipo de Luz

1. Conectar los dos cables del equipo de luz a los cables que salen de la caja de interruptores. Ver Fig 13 (pág. 8).
2. Conectar el equipo de luz a la caja de interruptores usando los 3 tornillos provistos.
3. Usar la cubierta adicional provista si no desea usar el equipo de luz.

Balaceando Las Aspas

Todo las aspas son agrupadas de acuerdo con su peso. Debido a que las maderas naturales varían en densidad, el ventilador puede oscilar a pesar de que las aspas han sido seleccionadas con igual peso.

El siguiente procedimiento debería corregir prácticamente todo la oscilación. Verificar después de cada paso.

1. Verificar que todos los tornillos de las aspas y de los soportes de aspas estén firmemente apretados.
2. Muchos de los problemas de oscilación se producen cuando la altura de las aspas son desiguales. Verificar altura seleccionando un punto en el techo sobre la punta de una de las aspas. Medir desde un punto en el centro de cada aspa al punto en el techo. Medir esta distancia como muestra la Figura 16. Rotar el ventilador hasta que la próxima aspa quede en posición para cada aspa. Las medidas deben mantenerse dentro de 1/8". Operar el ventilador por 10 minutos.

3. Cerciórese de que el escudete esté apretado con seguridad al soporte de montaje en el techo, y que el soporte de montaje del techo esté apretado con seguridad a la caja eléctrica.

4. El intercambio de dos aspas adyacentes puede redistribuir el peso y dar lugar posiblemente a una operación más pareja.

5. Usar el kit de balanceo incluido si la oscilación de las aspas aún es apreciable.

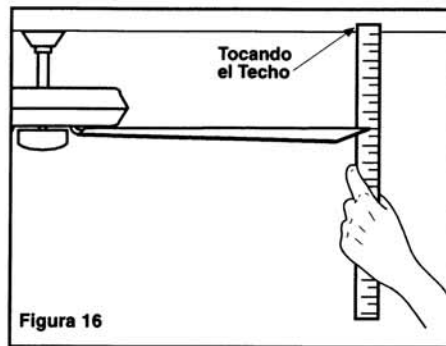


Figura 16

Cómo Cuidar de su ventilador

Activar la energía eléctrica y verificar el funcionamiento del ventilador. El interruptor de cadena controla la velocidad del ventilador como sigue: 1 tirón- Alta, 2 tirones- Media, 3 tirones- Baja y 4 tirones- Apagado (Off)

Las diferentes velocidades para clima cálido o fresco dependen de factores tales como el tamaño de la habitación, altura del techo, número de ventiladores, etc.

La unidad manual controla las direcciones hacia adelante o reverso.

NOTA

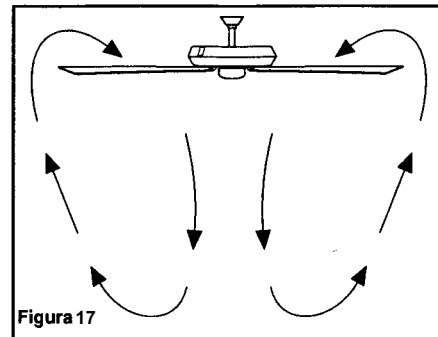
ESPERAR QUE EL VENTILADOR SE DETENGA ANTES DE INVERTIR LA DIRECCION DE LA ROTACION DE LAS ASPAS.

ADVERTENCIA

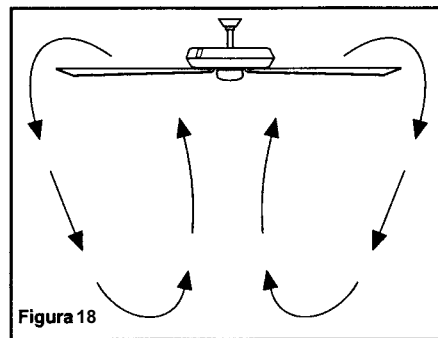
NO USE UN CONTROL DE VELOCIDAD PARA ESTE VENTILADOR. PODRIA CAUSAR DANO PERMANENTE A LOS CIRCUITOS ELECTRICOS.

IMPORTANTE
ESTE SEGURO LA ELECTRICIDAD ESTE APAGADA EN LA CAJA O PANEL ELECTRICO ANTES DE HACER CUALQUIER REPARACION. FAVOR REFERIRSE A LA SECCION HACIENDO LAS CONEXIONES ELECTRICAS.

Clima Cálido - (Hacia adelante) Un flujo de aire hacia abajo crea un efecto refrescante como muestra la Figura 17. Esto permite que Ud. regule su equipo de aire acondicionado más alto sin afectar su comodidad.



Clima Fresco - (Reverso) Un flujo de aire hacia arriba mueve el aire cálido estacionado en el techo como muestra la Figura 18. Esto permite que Ud. regule su equipo de calefacción más bajo sin afectar su comodidad.



10. Cómo Operar Su Ventilador

Cómo Cuidar de su ventilador

Las siguientes son sugerencias que le ayudarán a mantener su ventilador.

1. Debido al movimiento natural del ventilador, algunas conexiones pueden soltarse. Verificar las conexiones de las aspas y los soportes de aspas dos veces al año. Asegúrese de que están firmes. **(No es necesario desmontar el ventilador del techo).**
2. Limpiar su ventilador periódicamente para mantener su apariencia de nuevo a través de los años. No use agua al limpiar el ventilador. Esto podría dañar el motor, la madera, o posiblemente causar cortocircuitos.

Usar solamente una escobilla suave o paño liso para evitar ralladuras en el acabado. El enchapado está cubierto con un barniz para minimizar descoloración y manchas.

3. Ud. puede aplicar una capa delgada de lustramuebles a la madera como protección adicional y realzar su belleza. Cubrir las pequeñas ralladuras con una suave aplicación de betún de zapatos.
4. **No hay necesidad de lubricar su ventilador.** El motor tiene rodamientos sellados con lubricación permanente.

ADVERTENCIA
ASEGURARSE DE DESCONECTAR EL
SUMINISTRO DE ENERGIA ELECTRICA
ANTES DE COMENZAR CUALQUIER
REPARACION. REVISAR LA SECCION
"HACIENDO LAS CONEXIONES
ELECTRICAS".

Atención: Este aparato cumple con las exigencias de la Sección 15 de las reglas FCC. Cambios o modificaciones no expresamente aprobadas por el fabricante podrían anular su autoridad para operar este equipo.

Cómo Cuidar de Su Ventilador **11.**

Problema

El ventilador no arranca.

Solución

1. Revisar los fusibles o interruptores de circuitos.
CUIDADO: Asegurarse de que la energía eléctrica esté cortada.
2. Revisar las conexiones de los cables al ventilador y las conexiones de los cables en el alojamiento de interruptores.

El ventilador está ruidoso.

1. Asegurarse de que todos los tornillos de la cubierta del motor estén apretados.
2. Asegurarse de que los tornillos que sujetan los soportes de las aspas al motor están apretados.
3. Asegurarse de que los conectores de los cables no están rozando entre ellos o con la pared interior del motor. **CUIDADO:** Asegurarse de que la energía eléctrica esté cortada.
4. Dejar un periodo de espera de 24 horas. La mayoría de los ruidos asociados con un ventilador nuevo desaparecen en este período.
5. Si está usando un juego de luces opcional en el ventilador, asegurarse de que los tornillos que sujetan las pantallas de vidrio estén apretados. Revisar que las bombillas estén apretadas.
6. Asegurarse de que la parte superior del escudete esté a corta distancia del techo. No debe tocar el techo.
7. Asegurarse de que la caja de distribución está firme y que aislantes de goma fueron usados entre el soporte de montaje y la caja de distribución.

12. *Resolución de Problemas*

TAMAÑO DEL							
VENTILADOR	VELOCIDAD	VOLTIOS	AMPS	VATIOS	RPM	NETO	BRUTO
52"	Baja	120	0.25	17	90	17.1 (7.8kg)	19.1 (8.7kg)
	Media	120	0.36	35	130		
	Alta	120	0.46	56	180		

Estas son medidas aproximadas. No incluyen amperios y voltios usado por el juego de luces.

© 2007 Progress Lighting, Inc.
701 Millennium Blvd.,
Greenville, SC 29607
Derechos Reservados

13. *Especificaciones*